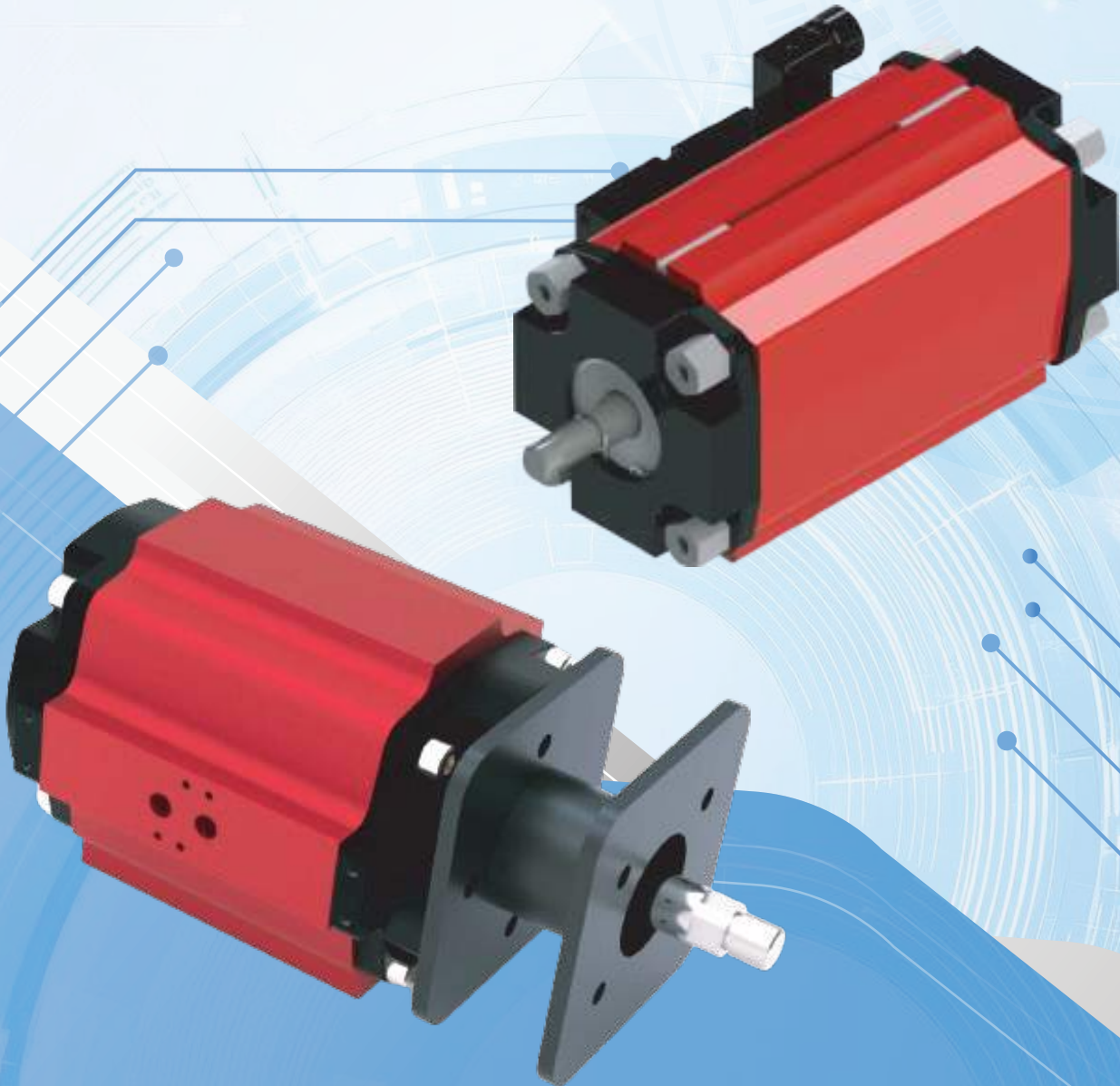




SUSIN I-TORK INDIA PRIVATE LIMITED

An ISO 9001 -2015 Certified Company

energy ahead...



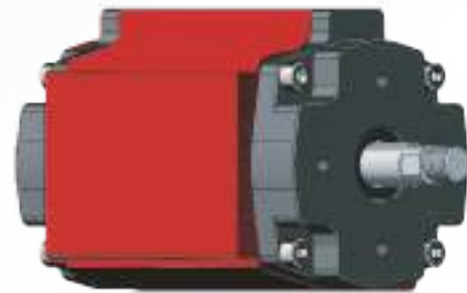
MICRO PNEUMATIC LINEAR ACTUATOR

 www.susingroup.com



Download Brochure

Introducing the SUSIN Micro Pneumatic Linear Actuator a marvel of precision engineering and design. This actuator features a stainless steel piston rod that ensures optimal sliding properties with exact bearing, while its aluminum lightweight construction contributes to reduced overall weight. Designed for low maintenance, it boasts lifetime lubrication, making it a dependable choice for various applications. The actuator's body, crafted from anodized aluminum, provides superior abrasion resistance and smooth sliding performance. Its compact, stable construction combines an extruded aluminum cover with the body, enhancing durability and versatility.

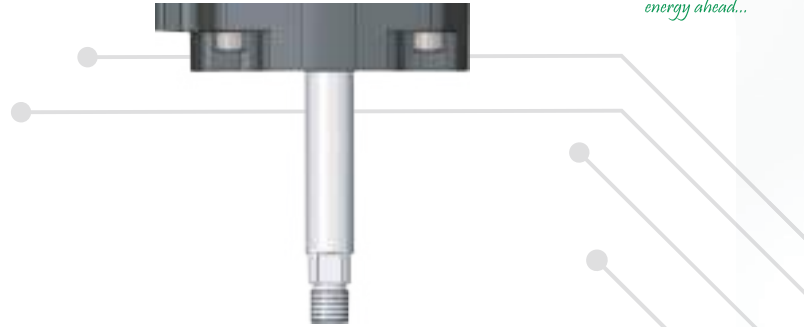


Technical Specification

CYLINDER TYPE	PNEUMATIC DOUBLE ACTING LINEAR CYLINDER
MODELS	MPLD-100,MPLD-125,MPLD-160,MPLD-200
MAX OPERATING PRESSURE	8 BAR
DESIGN PRESSURE	15 BAR
VALVE MOUNTING	ISO 5211
AIR PORT STANDARD	NAMUR STANDARD
SURFACE FINISH	RED COLOUR ANODIZED BODY BALCK POWDER COATED END COVER
TEMPERATURE RANGE	-20°C +80°C

Stainless Steel Piston Rod:

Constructed from stainless steel, the piston rod offers exceptional corrosion resistance and durability, ensuring long-term performance even in harsh environments.



Optimal Sliding Properties:

The cylinder's design includes precision bearings that facilitate smooth operation and reduce friction, leading to improved efficiency and longevity.

Lifetime Lubrication:

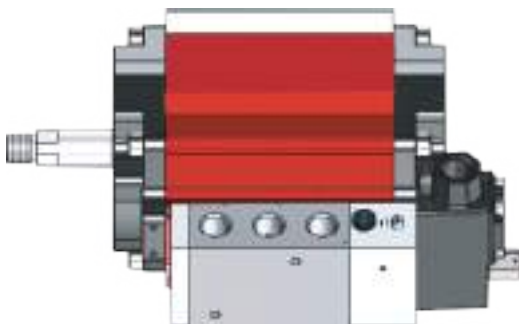
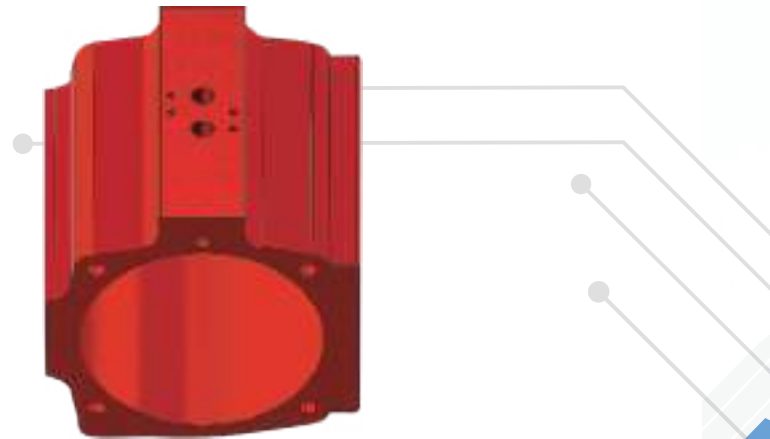
Pr-lubricated with high quality lubricant, the MPLD cylinder requires minimal Maintenance throughout its life-cycle, reducing downtime and operational costs.

Lightweight Aluminum Construction:

The use of lightweight aluminum for the cylinder body and cover enhances ease of handling and installation while maintaining structural integrity and performance.

Anodized Aluminum:

Both the interior and exterior of the cylinder are anodized, providing enhanced abrasion resistance and improved sliding properties, which contribute to a longer

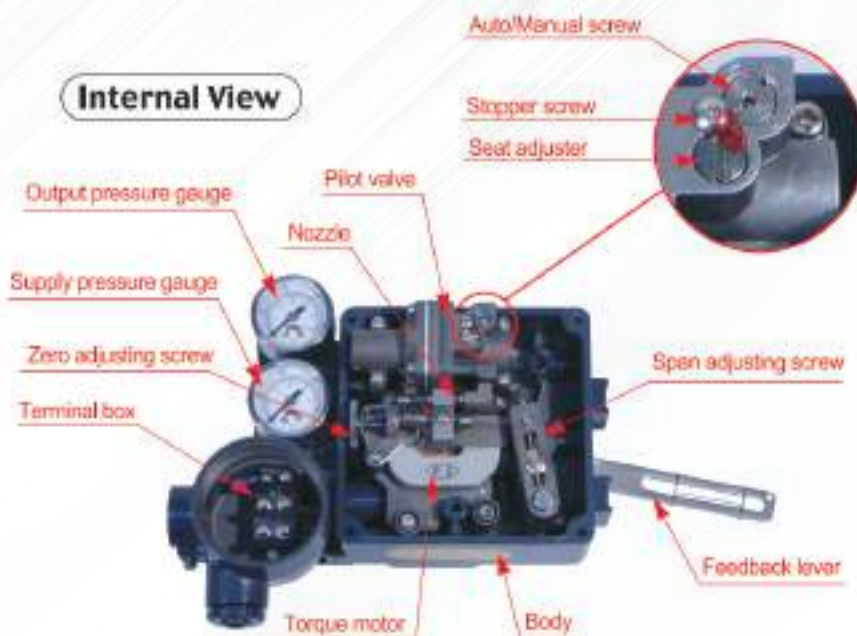


Direct NAMUR Mounting for Solenoid Valves:

The cylinder features direct NAMUR mounting For solenoid valves, eliminating the need for Additional tubing and piping. This design Simplifies installation and reduces potential Points of failure.

Positioner: Reliable performance and outstanding durability under harsh working environments through robust valve control devices.

- Electro Pneumatic Positioner (Linear/Rotary)
- Pneumatic - Pneumatic Positioner (Linear/Rotary)
- Smart Positioner



Filter Regulator :

Gauge Port Size ¼" ½" NPT

Air media

Filtration 5 micron

Gauge Port Size RC 1/8

Housing material: Aluminium

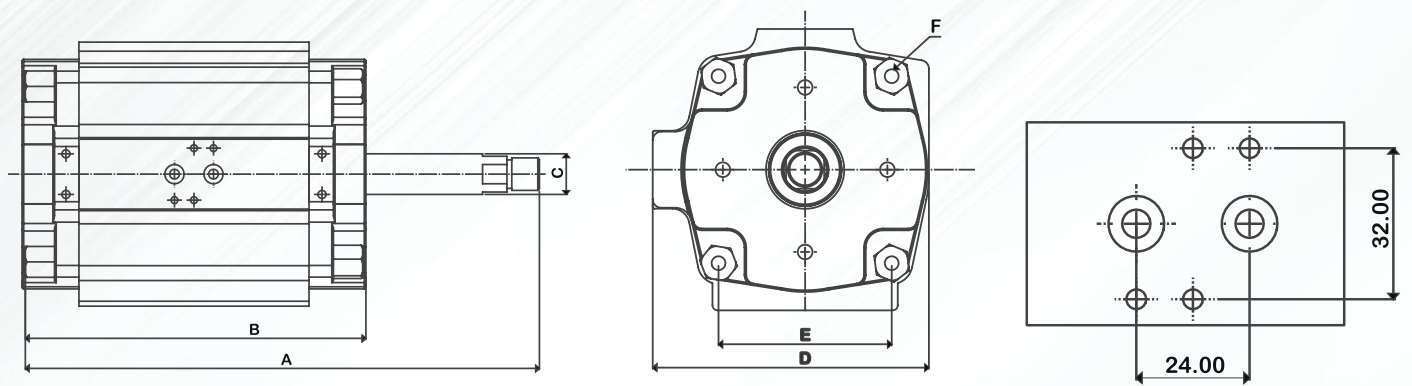
Pressure Gauge will be in SS

Solenoid Valve :

Our Next generation solenoid valves specifically engineered to pilot Pneumatic Process valve actuators, with improved design and added valuable features

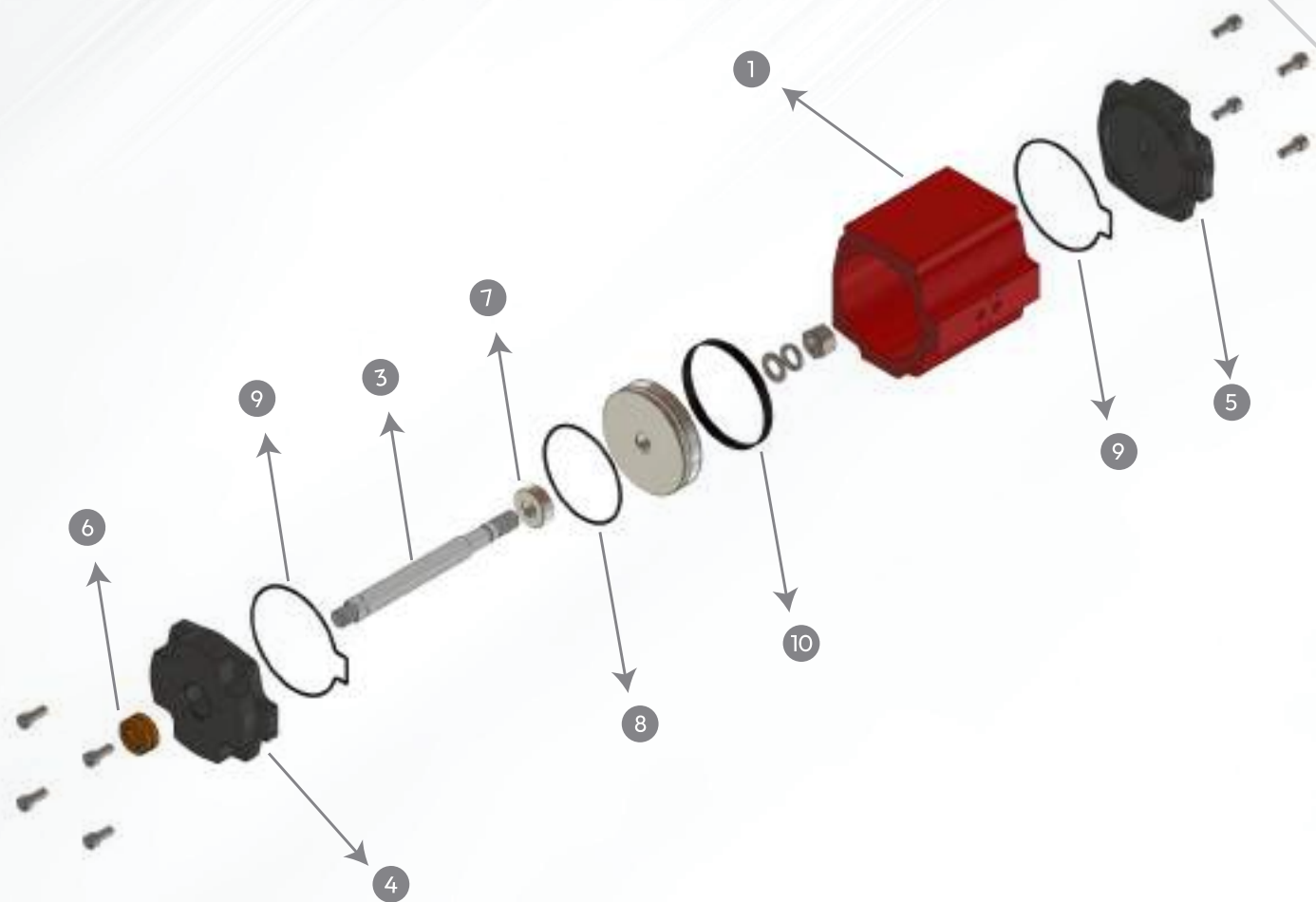


Dimensional Data



All Dimension are in mm

MODEL	STROKE		A	B	C	D	E	F	G
	mm	in							
MPLD-100	65	2.55	292	185	25	130	86	80	¼-NPT
	90	3.54	317	210	25	130	86	80	¼-NPT
	125	4.92	352	245	25	130	86	80	¼-NPT
	150	5.90	377	270	25	130	86	80	¼-NPT
	175	6.88	402	295	25	130	86	80	¼-NPT
	200	7.87	427	320	25	130	86	80	¼-NPT
MPLD-125	90	3.54	339	212	25	160	108	100	¼-NPT
	125	4.92	374	247	25	160	108	100	¼-NPT
	150	5.90	400	272	25	160	108	100	¼-NPT
	175	6.88	425	297	25	160	108	100	¼-NPT
	200	7.87	450	322	25	160	108	100	¼-NPT
	250	250	475	347	25	160	108	100	¼-NPT
MPLD-160	175	6.88	522	307	25	195	135	135	¼-NPT
	200	7.87	547	332	25	195	135	135	¼-NPT
	225	8.85	572	357	25	195	135	135	¼-NPT
	250	9.84	597	382	25	195	135	135	¼-NPT
	300	11.81	647	432	25	195	135	135	¼-NPT
	275	10.826	740	420	25	245	175	165	¼-NPT
MPLD-200	300	11.81	765	445	25	245	175	165	¼-NPT
	325	12.79	790	470	25	245	175	165	¼-NPT
	350	13.77	815	495	25	245	175	165	¼-NPT
	400	15.74	865	545	25	245	175	165	¼-NPT



S. No	DESCRIPTION	MATERIAL
1	HOUSING	ALUMINUM
2	PISTON	ALLOY STEEL
3	PISTON ROD	STAINLESS STEEL
4	BOTTOM END COVER	ALUMINUM
5	TOP END COVER	ALUMINUM
6	PISTON GUIDE BUSH	ALUMINUM BRONZE
7	SPACER	ALUMINUM
8	PISTON ORING	NBR
9	END COVER ORING	NBR
10	PISTON SEAL RING	CFT

MPLD - Series Thrust Data Sheet



MPLD - Series Thrust Data Sheet

MODEL	BORE DIA	PISTON ROD DIA	2.8 Bar		3.5 Bar		4.2 Bar		5 Bar		5.5 Bar		7 Bar	
	IN mm	IN mm	Close (Kn)	Open (Kn)	Close (Kn)	Open (Kn)	Close (Kn)	Open (Kn)	Close (Kn)	Open (Kn)	Close (Kn)	Open (Kn)	Close (Kn)	Open (Kn)
MPLD -100	100	25	2.0	1.9	2.6	2.4	3.1	2.9	3.7	3.4	4.1	3.8	5.2	4.8
MPLD -125	125	25	3.2	3.1	4.0	3.9	4.8	4.6	5.8	5.5	6.4	6.1	8.1	7.8
MPLD-160	160	25	5.3	5.2	6.6	6.5	8.0	7.8	9.5	9.3	10.5	10.2	13.3	13
MPLD-200	200	32	8.3	8.1	10.4	10.1	12.5	12.2	14.9	14.5	16.4	15.9	20.8	20.3

MPLD - Series Thrust Data Sheet

MODEL	BORE DIA	PISTON ROD DIA	2.8 Bar		3.5 Bar		4.2 Bar		5 Bar		5.5 Bar		7 Bar	
	IN mm	IN mm	Close (lbf)	Open (lbf)	Close (lbf)	Open (lbf)	Close (lbf)	Open (lbf)	Close (lbf)	Open (lbf)	Close (lbf)	Open (lbf)	Close (lbf)	Open (lbf)
MPLD -100	100	25	450	427	584	539	696	651	831	764	921	854	1169	1079
MPLD -125	125	25	720	696	899	876	1079	1034	1303	1236	1438	1371	1820	1753
MPLD-160	160	25	1190	1169	1483	1461	1798	1753	2135	2090	2360	2293	2989	2922
MPLD-200	200	32	1865	1820	2338	2270	2810	2742	3349	3259	3686	3574	4676	4563

Special Note : For Higher Thrust output Ranges More than 20 KN, Susin having other Product called "PLDS series" made of Steel construction to provide upto 400 KN (Please consult Factory to get more details about PLDS Series)

OTHER PRODUCTS



Hydraulic Actuators
(Rotary & Linear types)



Electrical Actuators



Mechanical Actuators
(Rotary types)


GLOBAL PRESENCE



Visit Website

MANUFACTURING FACILITIES

 **INDIA**
SUSIN I-TORK INDIA PRIVATE LIMITED
 43A9 , Vadakku Thottam, Idigarai,
 Coimbatore, Tamilnadu, India - 641022
 E-mail : techsales@susinitork.in
 Website : www.susinitork.in
 Tel : +91 6384063034

 **KOREA**
I-TORK CONTROLS LTD
 74-6 , Chunui-Dong, Wonmi-Gu, Bucheon Si,
 Gyeonggi-Do, South Korea, Zip : 420-120
 Tel : +82-2-855-1365
 Fax : +82-2-855-1367
 E-mail : we123@itork.com
 Website : www.i-tork.com

 **Germany**
KTC SYSTEMTECHNIK GMBH
 Krähenweg 11, D 22459 Hamburg,
 Germany
 Tel : +49 (0)40 5714752-0
 Fax : +49 (0)40 5714752-22
 E-mail : teichler@ktc-systemtechnik.de

SALES & SUPPORT

 **SINGAPORE**
AHF INDUSTRIES - HEAD OFFICE
 2 , Kallang Pudding #07-12, #06-05/06,
 Mac Tech Building Singapore, 349307
 Tel : +65 6748 8108
 Fax 1 : +65 6842 5567
 Fax 2 : +65 6748 8917

 **MALAYSIA**
AHF ENGINEERING Sdn. Bhd.
 No 5 , Jalan USJ 1/31, Taman Subang Permai,
 47600 Subang Jaya Selangor, Malaysia
 Tel : +603-8024-0940
 E-mail : cky@ahfengineering.com
 sales@ahfengineering.com

 **UNITED ARAB EMIRATES**
SUSIN I-TORK ME FZC
 Y61 , Executive Suite
 Post Box No - 122643, Saif Zone Sharjah
 United Arab Emirates
 Tel : 971 529407969
 Fax : +65 6748 8917