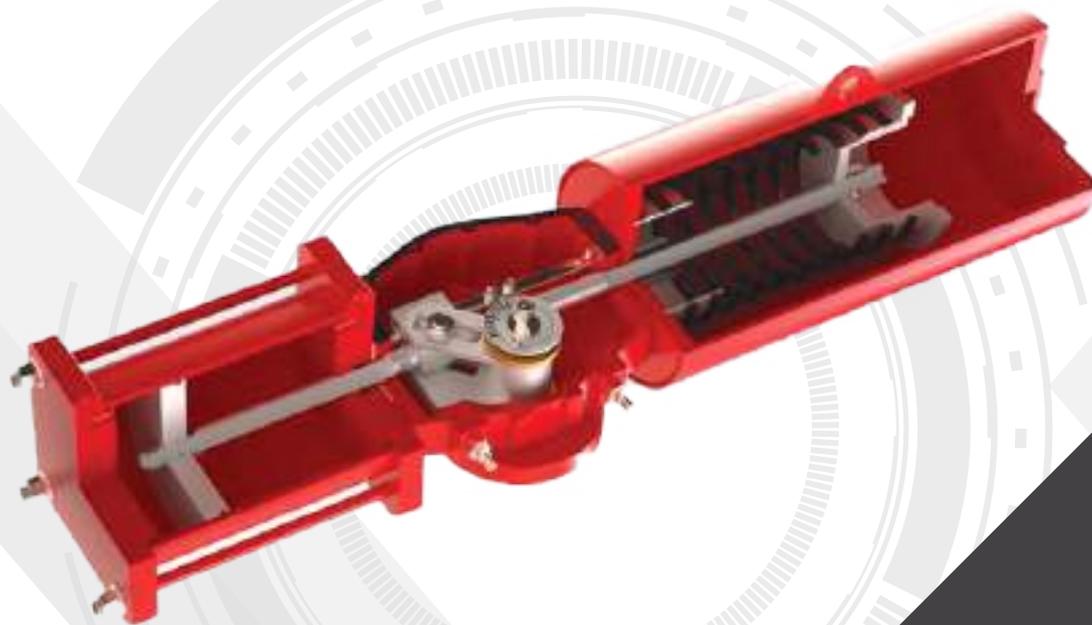




*energy ahead...*

**SUSIN I-TORK INDIA PRIVATE LIMITED**

An ISO 9001 -2015 Certified Company



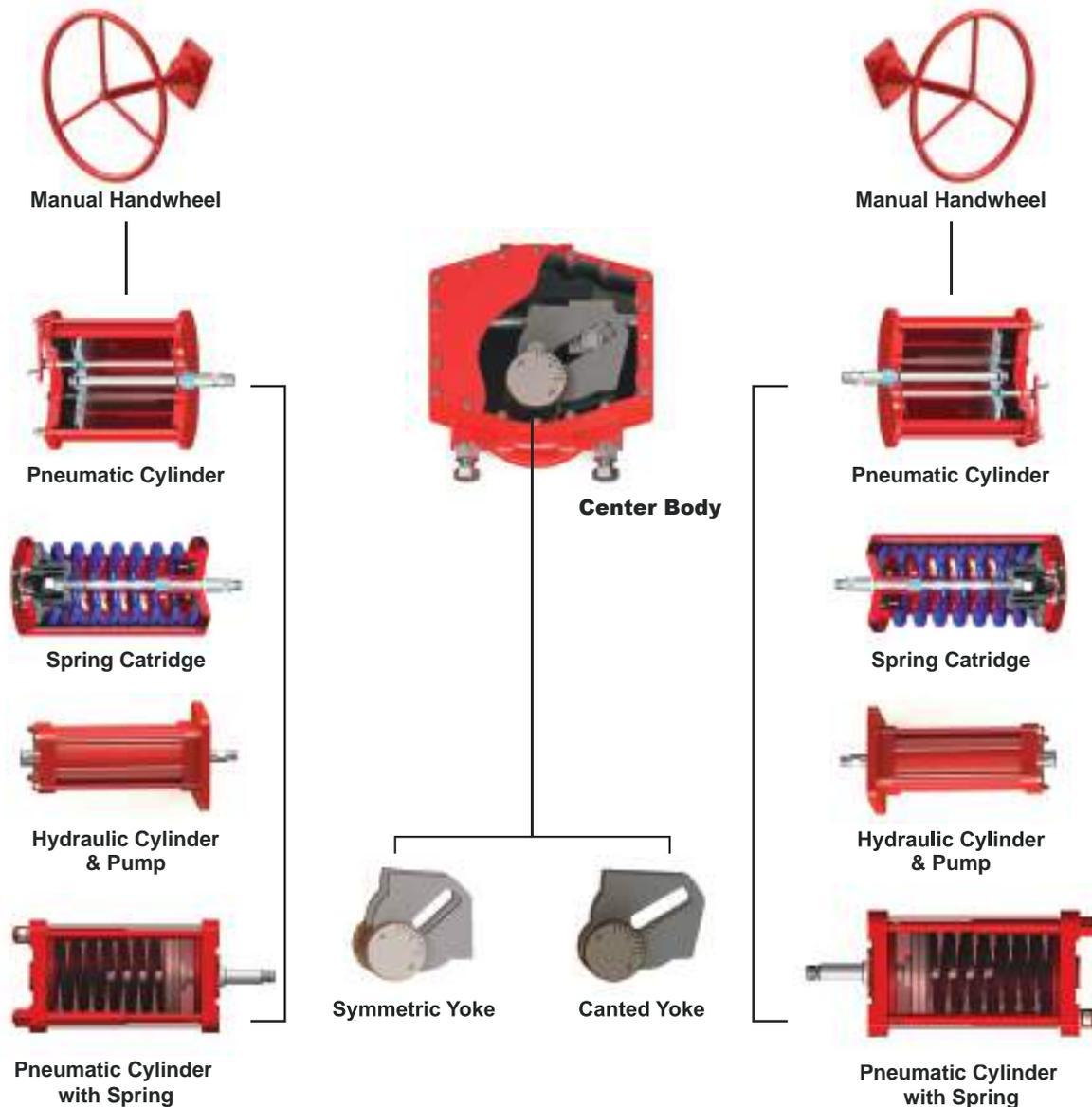
**HEAVY-DUTY  
PNEUMATIC  
ACTUATOR  
MICRO SERIES**

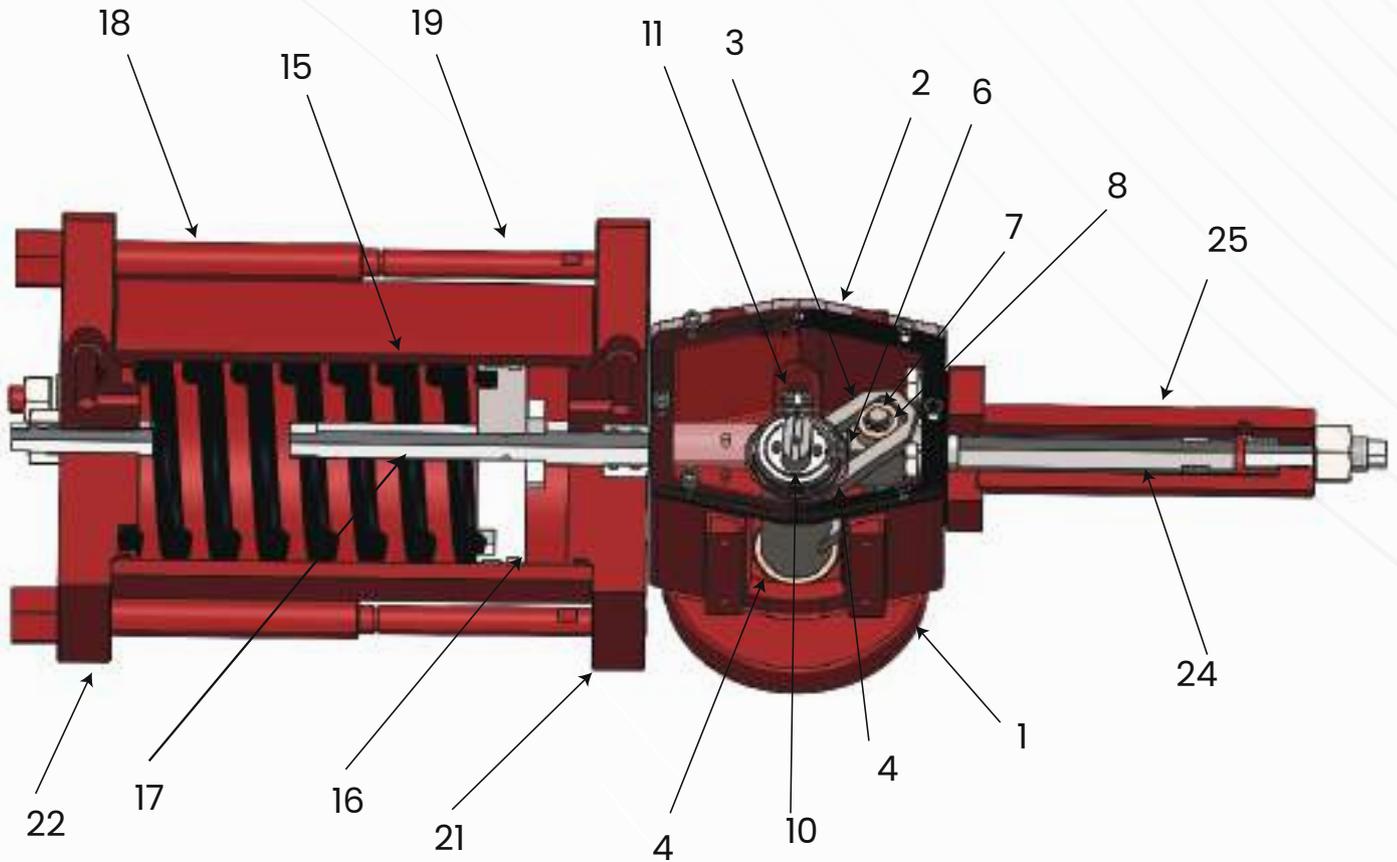


Download Brochure

# HEAVY-DUTY PNEUMATIC ACTUATOR MICRO SERIES

- ✓ THE IS & IC SERIES OF HEAVY-DUTY SCOTCH YOKE ACTUATORS ARE DESIGNED SUITABLE FOR GENERAL PURPOSE OF VALVES AND DAMPER AUTOMATION AND OFFER A WIDE RANGE OF TORQUES ENABLE TO OPERATE BALL, BUTTERFLY, PLUG VALVES, DAMPERS OR ANY DEVICE THAT REQUIRES A QUARTER-TURN OPERATION FOR ON-OFF OR MODULATING SERVICE.
- ✓ IS-SERIES IS THE SYMMETRICAL DESIGN YOKE THAT PRODUCES MAXIMUM TORQUE AT END OF THE 90° CYCLE PROVIDING TRAVEL STOPS.
- ✓ IC-SERIES IS THE CANTED DESIGN YOKE THAT MAX PRODUCES TORQUE AT EITHER CLOSE OR OPEN END.
- ✓ BOTH SERIES ACTUATOR COME ALONG WITH A COMPLETE LINE OF CONTROLS AND MONITORING ACCESSORIES INCLUDING MANUAL HANDWHEEL (JACKSCREW), HYDRAULIC OVERRIDES, LIMITS SWITCHES, SOLENOID VALVES, POSITIONERS AND OTHER CONTROLS ACCESSORIES.
- ✓ ITS MODULAR DESIGN AND CONSTRUCTION PROVIDES MAXIMIZED CONVENIENCE DURING INSTALLATION, MAINTENANCE AND STORAGE.

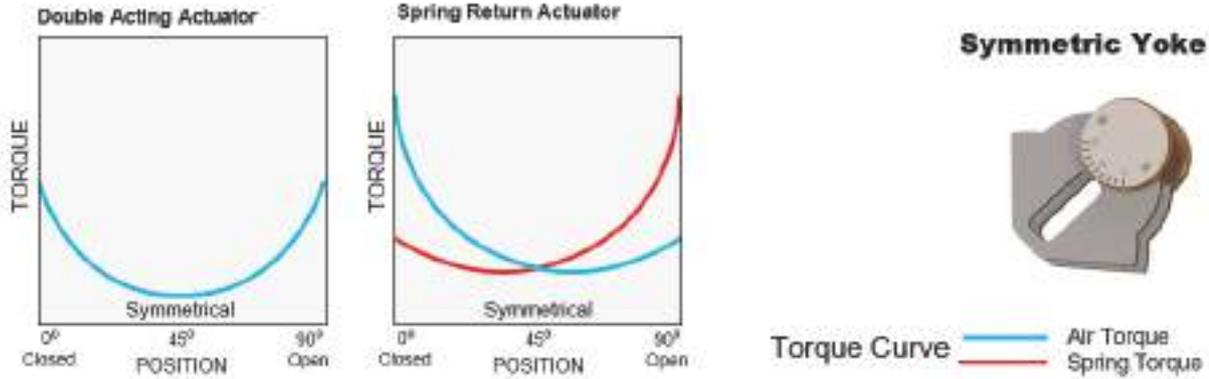




S. No	DESCRIPTION	MATERIAL
1	BODY	DUCTILE IRON
2	COVER	ALLOY STEEL
3	YOKE	ALLOY STEEL
4	UPPER BUSHING	BSC
5	LOW BUSHING	BSC
6	SLIDE BLOCK	ALLOY STEEL
7	SLIDE PIN	ALLOY STEEL
8	SLIDE ROLLER	ALLOY STEEL
9	SNAP RING	ALLOY STEEL
10	POSITION INDICATOR	ALLOY STEEL
11	POINTER	STS
12	UPPER & LOW	NBR
13	INDICATOR GASKET	NBR
14	COVER GASKET	NBR

S. No	DESCRIPTION	MATERIAL
15	CYLINDER	ALLOY STEEL
16	PISTON	ALLOY STEEL
17	PISTON ROD	ALLOY STEEL
18	TIE BOLT	ALLOY STEEL
19	TIE ROD	ALLOY STEEL
20	PISTON GUIDE BUSHING	BSC
21	CYLINDER FRONT COVER	ALLOY STEEL
22	CYLINDER END COVER	ALLOY STEEL
23	SPRING	ALLOY STEEL
24	GUIDE BAR	ALLOY STEEL
25	GUIDE PIPE	ALLOY STEEL
26	PISTON GUIDE BUSH O-RING	NBR
27	PISTON O-RING	NBR
28	END COVER O-RING	NBR

## SYMMETRIC TECHNICAL DATA



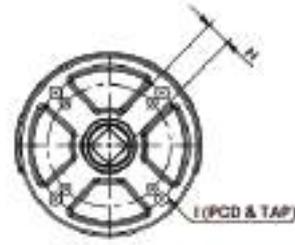
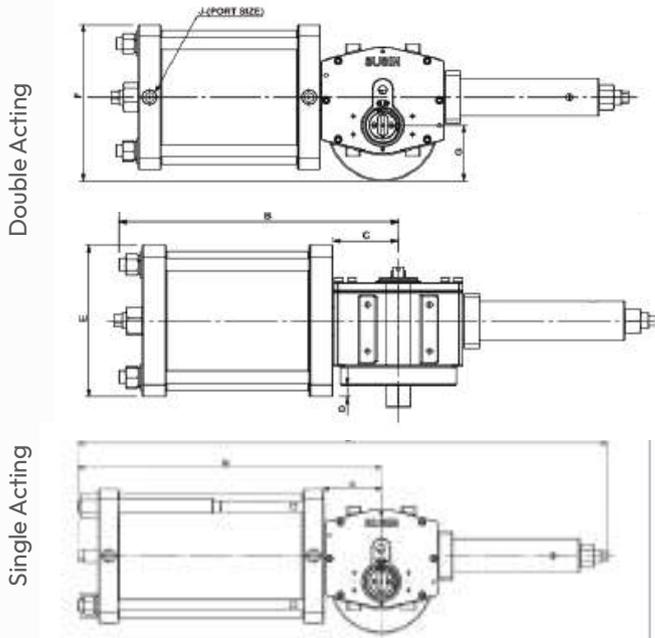
## DOUBLE ACTING

Model	2.8 Bar			4.2 Bar			5.5 Bar			7 Bar		
	Start	Run	End	Start	Run	End	Start	Run	End	Start	Run	End
ISD-A1-10	112	68	105	168	103	158	220	135	207	281	171	263
ISD-A1-12	175	107	168	263	161	252	344	210	331	438	268	421
ISD-A1-16	287	175	280	431	263	420	564	344	551	718	438	701
ISD-A1-18	364	222	357	545	333	535	714	436	700	909	555	891
ISD-A1-20	451	275	444	677	413	666	886	541	872	1,128	688	1,110

## SPRING RETURN (FAIL CLOSED OR FAIL OPEN)

MODEL		SPRINGTORQUE			AIR TORQUE: AIR SUPPLY PRESSURE											
					2.8 Bar			4.2 Bar			5.5 Bar			7 Bar		
		Start	Run	End	Start	Run	End	Start	Run	End	Start	Run	End	Start	Run	End
ISR-A1-12	3.5 Bar	136	69	83	93	38	33	180	91	117	261	141	195	355	198	285
	4.2 Bar	149	78	97	79	29	19	166	83	103	248	132	181	342	190	271
	5.5 Bar	180	92	112	63	15	100	151	68	73	233	118	151	326	175	241
ISR-A1-16	3.5 Bar	180	92	112	175	83	100	319	171	240	452	252	371	606	346	521
	4.2 Bar	248	131	166				264	132	172	398	213	302	551	307	453
	5.5 Bar	342	182	232				199	81	78	332	163	208	486	257	358
ISR-A1-18	3.5 Bar	248	131	166	197	91	109	379	202	287	548	305	452	743	423	643
	4.2 Bar	335	177	225				321	156	200	489	259	365	684	378	556
	5.5 Bar	416	220	279				266	113	119	435	216	284	630	335	475
ISR-A1-20	3.5 Bar	335	177	225	227	98	109	452	236	331	661	364	537	903	511	775
	4.2 Bar	407	214	270				407	199	259	616	327	465	858	474	703
	5.5 Bar	416	220	279				398	193	250	607	321	456	849	468	694

# SYMMETRIC TECHNICAL DATA

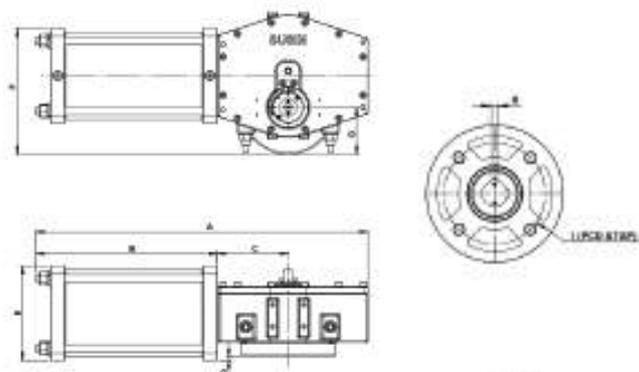


SINGLE ACTING		
MODEL	K	B
ISR-A1-12-3.5	765	350
ISR-A1-12-4.2	750	335
ISR-A1-12-5.5	720	305
ISR-A1-16-3.5	735	320
ISR-A1-16-4.2	745	330
ISR-A1-16-5.5	800	385
ISR-A1-18-3.5	745	328
ISR-A1-18-4.2	780	365

DOUBLE ACTING												
MODEL	A	B	C	D	E	F	G	H	I		J	
ISD-A1-10	690	358	82.5	-18	130	184	75	22	30	F10/F12	M10x1.5-10/M12x1.75-18	½-NPT
ISD-A1-12	690	358	82.5	-08	150	187	75	22	30	F10/F12	M10x1.5-10/M12x1.75-18	½-NPT
ISD-A1-16	690	358	82.5	14.5	195	205	75	22	30	F10/F12	M10x1.5-10/M12x1.75-18	½-NPT
ISD-A1-18	690	358	82.5	24.5	210	220	75	22	30	F10/F12	M10x1.5-10/M12x1.75-18	½-NPT

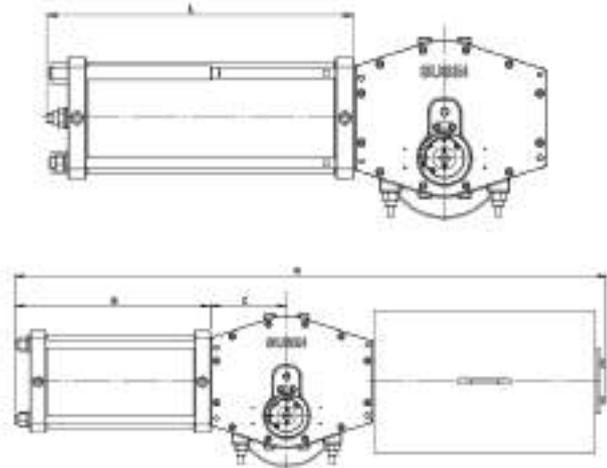
## 01- SERIES

### DOUBLE ACTING



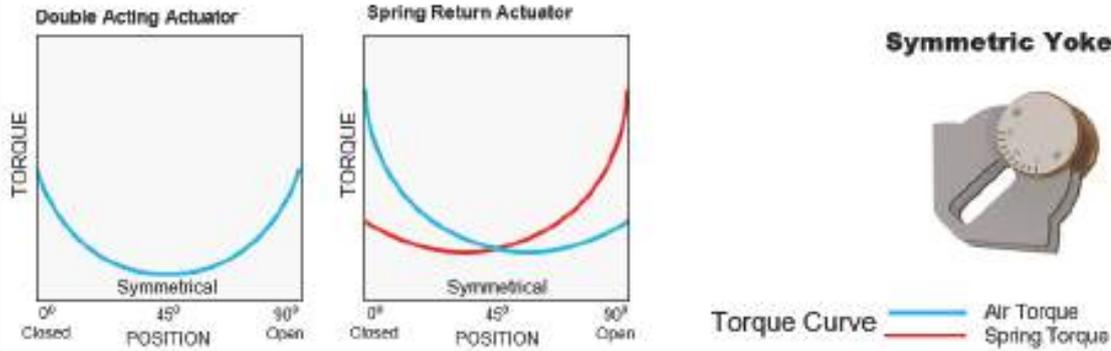
MODEL	A	B	C	D	E	F	G	H	I		J
ISD-01-10	658	345	155	-25	130	225	8989	37.3	F14-M16x2.0P-20		½-NPT
ISD-01-12	658	345	155	-15	150	235	89	37.3	F14-M16x2.0P-20		½-NPT
ISD-01-16	658	345	155	7.5	195	255	89	37.3	F14-M16x2.0P-20		½-NPT
ISD-01-18	658	345	155	17.5	210	270	89	37.3	F14-M16x2.0P-20		½-NPT
ISD-01-20	658	345	155	27.5	230	280	89	37.3	F14-M16x2.0P-20		½-NPT

### SINGLE ACTING



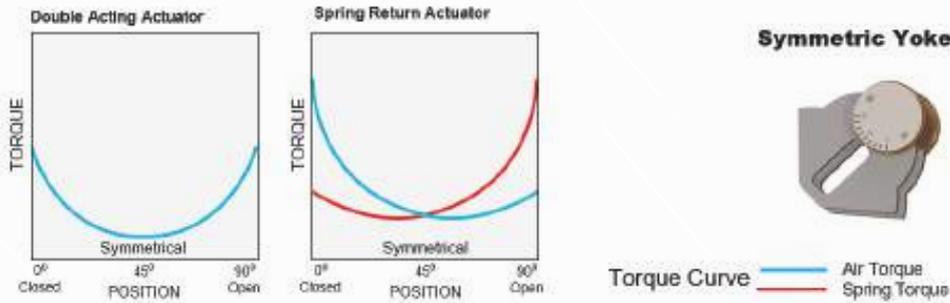
MODEL	B	C	K	L
ISR-01-12-3.5	345	155	-	590
ISR-01-12-4.2	345	155	-	552
ISR-01-12-5.5	345	155	-	487
ISR-01-16-3.5	345	155	1100	465
ISR-01-16-4.2	345	155	1380	555
ISR-01-16-5.5	345	155	1100	495
ISR-01-18-3.5	345	155	1170	550
ISR-01-18-4.2	345	155	1110	490
ISR-01-18-5.5	345	155	1250	445
ISR-01-20-3.5	345	155	1110	-
ISR-01-20-4.2	345	155	1250	-
ISR-01-20-5.5	345	155	1170c	-

# SYMMETRIC TECHNICAL DATA



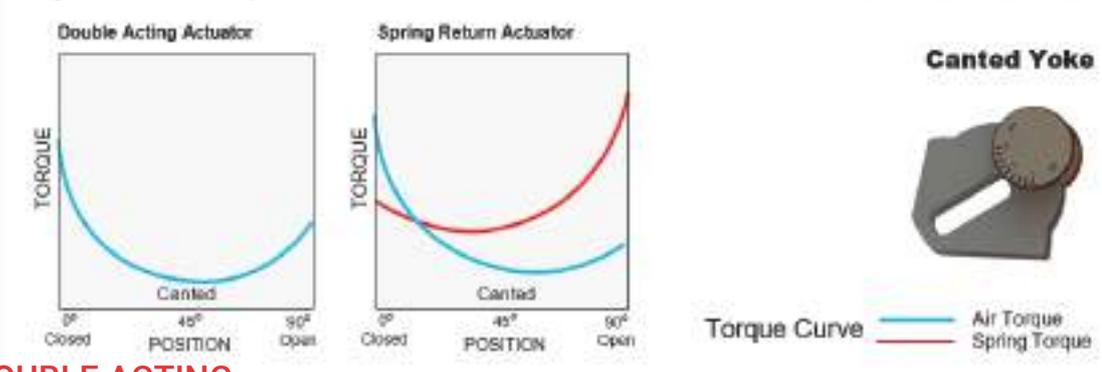
## DOUBLE ACTING

MODEL	2.8 Bar			4.2 Bar			5.5 Bar			7 Bar		
	Start	Run	End	Start	Run	End	Start	Run	End	Start	Run	End
ISD-01-10	192	117	180	1288	176	270	377	230	353	480	293	450
ISD-01-12	300	183	288	450	275	432	589	360	566	750	458	720
ISD-01-16	491	300	479	737	450	719	965	589	942	1228	750	1198
ISD-01-18	622	380	610	933	569	915	1222	746	1198	1555	949	1525
ISD-01-20	772	471	760	1157	706	1139	1516	925	1492	1929	1177	1899



## SPRING RETURN (FAIL CLOSED OR FAIL OPEN)

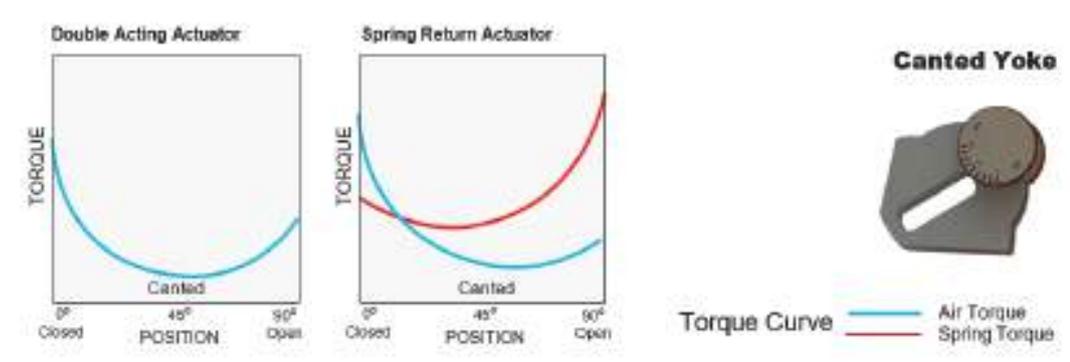
MODEL		SPRING TORQUE			AIR TORQUE: AIR SUPPLY PRESSURE											
					2.8 Bar			4.2 Bar			5.5 Bar			7 Bar		
		Start	Run	End	Start	Run	End	Start	Run	End	Start	Run	End	Start	Run	End
ISR-01-12	3.5 Bar	242	123	147	153	60	45	303	151	189	442	236	323	603	334	477
	4.2 Bar	272	142	176				274	133	160	413	218	294	573	316	448
	5.5 Bar	320	172	224				226	103	112	365	188	246	526	286	400
ISR-01-16	3.5 Bar	327	177	231	260	123	152	506	273	392	734	412	615	997	573	871
	4.2 Bar	500	258	315				422	192	219	650	331	442	913	492	699
	5.5 Bar	582	310	398	288	109	88	339	140	137	568	279	359	831	440	616
ISR-01-18	3.5 Bar	522	271	334				599	299	393	888	475	676	1221	678	1003
	4.2 Bar	602	321	413				519	248	313	808	424	596	1141	628	923
	5.5 Bar	798	422	535				398	148	117	687	324	400	1020	527	727
ISR-01-20	3.5 Bar	616	330	428	344	141	143	730	376	523	1088	595	876	1501	847	1283
	4.2 Bar	767	402	505				653	304	372	1011	523	725	1424	775	1132
	5.5 Bar	929	505	666				491	202	211	849	420	563	1263	673	970



**DOUBLE ACTING**

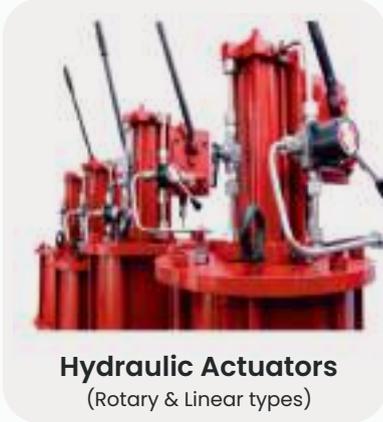
MODEL	2.8 Bar			4.2 Bar			5.5 Bar			7 Bar		
	Start	Run	End	Start	Run	End	Start	Run	End	Start	Run	End
ICD-01-10	236	117	155	354	176	232	464	230	304	590	293	387
ICD-01-12	369	183	248	553	275	372	724	360	487	922	458	620
ICD-01-16	604	300	413	906	450	619	1187	589	811	1510	750	1032
ICD-01-18	765	380	525	1147	569	788	1502	746	1031	1912	949	1313
ICD-01-20	949	471	654	1423	706	981	1864	925	1285	2372	1177	1635

**SPRING RETURN (FAIL CLOSED OR FAIL OPEN)**



MODEL		SPRINGTORQUE			AIR TORQUE: AIR SUPPLY PRESSURE											
					2.8 Bar			4.2 Bar			5.5 Bar			7 Bar		
		Start	Run	End	Start	Run	End	Start	Run	End	Start	Run	End	Start	Run	End
ICR-01-12	3.5 Bar	242	123	147	-	-	-	406	151	129	577	236	244	775	334	377
	4.2 Bar	272	142	176	-	-	-	377	133	100	548	218	215	746	316	348
	5.5 Bar	320	172	224	-	-	-	329	103	52	500	188	167	698	286	300
ICR-01-16	3.5 Bar	327	177	231	-	-	-	675	273	292	955	412	484	1279	573	705
	4.2 Bar	500	258	315	-	-	-	591	192	119	872	331	311	1195	492	532
	5.5 Bar	582	310	398	-	-	-	509	140	37	789	279	228	1113	440	450
ICR-01-1	3.5 Bar	522	271	334	-	-	-	813	299	265	1168	475	509	1578	678	791
	4.2 Bar	602	321	413	-	-	-	734	248	186	1089	424	429	1498	628	711
	5.5 Bar	798	422	535	-	-	-	612	224	205	967	324	234	1377	527	515
ICR-01-20	3.5 Bar	616	330	428	-	-	-	995	376	365	1436	595	668	1944	847	1019
	4.2 Bar	767	402	505	-	-	-	918	304	214	1359	523	517	1867	775	868
	5.5 Bar	929	505	666	-	-	-	757	202	52	1197	420	356	1706	673	706

## OTHER PRODUCTS



**Hydraulic Actuators**  
(Rotary & Linear types)



**Electrical Actuators**



**Mechanical Actuators**  
(Rotary types)

## GLOBAL PRESENCE



Visit Website



MANUFACTURING FACILITIES

### INDIA

**SUSIN I-TORK INDIA PRIVATE LIMITED**  
43A9 , Vadakku Thottam, Idigarai,  
Coimbatore, Tamilnadu, India - 641022  
E-mail : [techsales@susinitork.in](mailto:techsales@susinitork.in)  
Website : [www.susinitork.in](http://www.susinitork.in)  
Tel : +91 63840 63034

### KOREA

**I-TORK CONTROLS LTD**  
74-6 , Chunui-Dong, Wonmi-Gu, Bucheon Si,  
Gyeonggi-Do, South Korea, Zip : 420-120  
Tel : +82-2-855-1365  
Fax : +82-2-855-1367  
E-mail : [we123@itork.com](mailto:we123@itork.com)  
Website : [www.i-tork.com](http://www.i-tork.com)

### Germany

**KTC SYSTEMTECHNIK GMBH**  
Krähenweg 11, D 22459 Hamburg,  
Germany  
Tel : +49 (0)40 5714752-0  
Fax : +49 (0)40 5714752-22  
E-mail : [teichler@ktc-systemtechnik.de](mailto:teichler@ktc-systemtechnik.de)

SALES & SUPPORT

### SINGAPORE

**AHF INDUSTRIES - HEAD OFFICE**  
2 , Kallang Pudding #07-12, #06-05/06,  
Mac Tech Building Singapore, 349307  
Tel : +65 6748 8108  
Fax 1 : +65 6842 5567  
Fax 2 : +65 6748 8917

### MALAYSIA

**AHF ENGINEERING Sdn. Bhd.**  
No 5 , Jalan USJ 1/31, Taman Subang Permai,  
47600 Subang Jaya Selangor, Malaysia  
Tel : +603-8024-0940  
E-mail : [cky@ahfengineering.com](mailto:cky@ahfengineering.com)  
[sales@ahfengineering.com](mailto:sales@ahfengineering.com)

### UNITED ARAB EMIRATES

**SUSIN I-TORK ME FZC**  
Y61 , Executive Suite  
Post Box No - 122643, Saif Zone Sharjah  
United Arab Emirates  
Tel : 971 529407969  
Fax : +65 6748 8917