

# Economic Style Electric Actuator ITQ Series

NEW



**INNOBIZ**  
기술혁신형중소기업



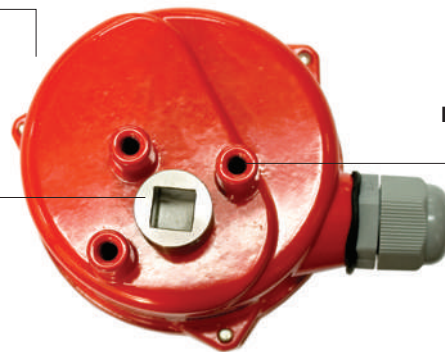
# ECONOMIC TYPE ITQ ELECTRIC ACTUATOR

## ITQ 0020

- Suitable for small 1" ball valve automation.
- Very high efficiency & cyclic life.
- Free voltage (85~265 VAC, 1Phase) and optional 24VAC/DC
- Very compact and light weight.



PG11 Cable Gland with Wires



ISO F03 Flange

11X11mm  
Square Female Shaft  
with insert 9X9mm

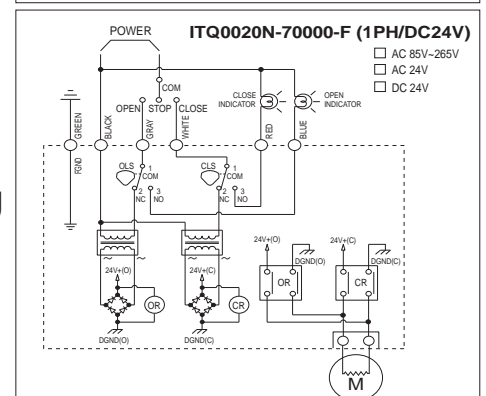
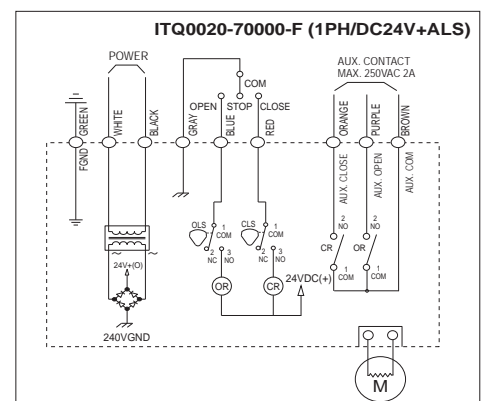
## PERFORMANCE

Model	Rate torque (Nm)	Duty cycle (%)	Operating time		Stem Adaption (Square Female shaft)	Rated current				Motor insulation class	Weight (kgs)
			50Hz /60Hz	24DC(No Load)		24V		1Phase			
ITQ 0020	25	50	11	11	11 X 11 mm	0.60	0.55	0.16	0.08	E	1

## STANDARD SPECIFICATION

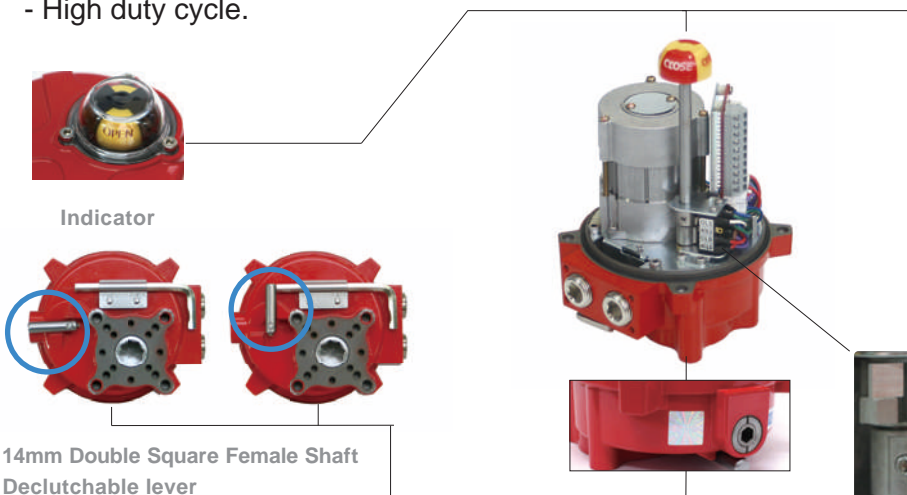
<b>Enclosure</b>	IP66, O-ring Sealed
<b>Main Power</b>	Free Voltage(110/220VAC/1Ph/50/60Hz) 24 VAC/DC
<b>Duty cycle(on-off)</b>	S2 : 50%
<b>Motor</b>	DC motor
<b>Limit switches</b>	2 ea for Open & Close (5A, 250VAC)
<b>(Option) Extra Limit switches</b>	Relays for Open & Close (5A, 250AC)
<b>Mounting</b>	ISO F03, 11 X 11 - DP12 Square female Shaft with insert 9X9mm
<b>Travel angle</b>	90°C ± 5°C
<b>Cable entry &amp; Wiring</b>	1-PG11 Cable gland with wires 30cm long
<b>Surface protection</b>	Polyester coating
<b>Ambient temperature</b>	-10°C~ + 65°C
<b>Humidity(R.H)</b>	90%

## WIRING



# NEW ITQ 0040

- Suitable for on-off small ball / plug valves and damper automation.
- By combination of spur gears, provide very high efficiency
- The motor is a specially designed induction motor that produces high starting torques and thermally protected from overheating.
- Manual operation by Hex Wrench and dome position indication
- Compact and light weight.
- High duty cycle.



Indicator

14mm Double Square Female Shaft  
Declutchable lever

Manual Hex Wrench



Cam Set



RPC (Option)  
(Remote Position Controller)  
Input & Output Signal  
4~20mADC

## PERFORMANCE

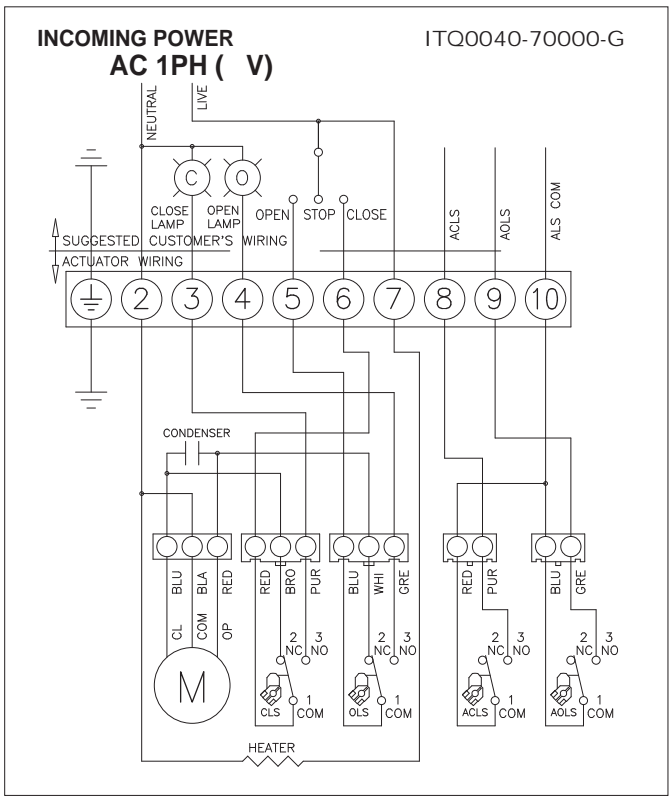
Model	Rate Torque (Nm)	Duty Cycle (%)	Operating Time (Sec.)			Stem Adaption (Double Square Female Shaft)	Rated current (A)			Motor Insulation Class	Weight (kgs)	No of Handwheel Turn
			50Hz	60Hz	DC24V (No Load)		1Phase AC		DC			
			110V	220V	24V							
ITQ 0040	40	50	16	13	7	14X14mm	0.27	0.21	0.8	B	2.5	6

## STANDARD SPECIFICATION

<b>Enclosure</b>	IP67, O-ring Sealed
<b>Main Power</b>	110/220VAC/1Ph/50/60Hz, 24VDC
<b>Duty cycle(on-off)</b>	S2 : 30 min
<b>Duty cycle(modulating)</b>	S4 : 50%
<b>Motor</b>	Induction motor
<b>Limit switches</b>	2 ea for each travel
<b>Space heater</b>	2W
<b>Manual operation</b>	Declutchable Lever & shaft on bottom
<b>Indicator</b>	Continuous Mechanical position indicator
<b>Mounting</b>	ISO F03/F04/F05/F07 flange with double square female shaft
<b>Travel angle</b>	90° ± 5°
<b>Cable entries</b>	2-M20×1.5(option : 2-PF(PT)½")
<b>Terminal block</b>	Spring loaded push type
<b>Surface protection</b>	Anodized polyester coating
<b>Ambient temperature</b>	-20°C~+70°C
<b>Humidity(R.H)</b>	90%

## WIRING

ITQ 0040 110/220 ON/OFF

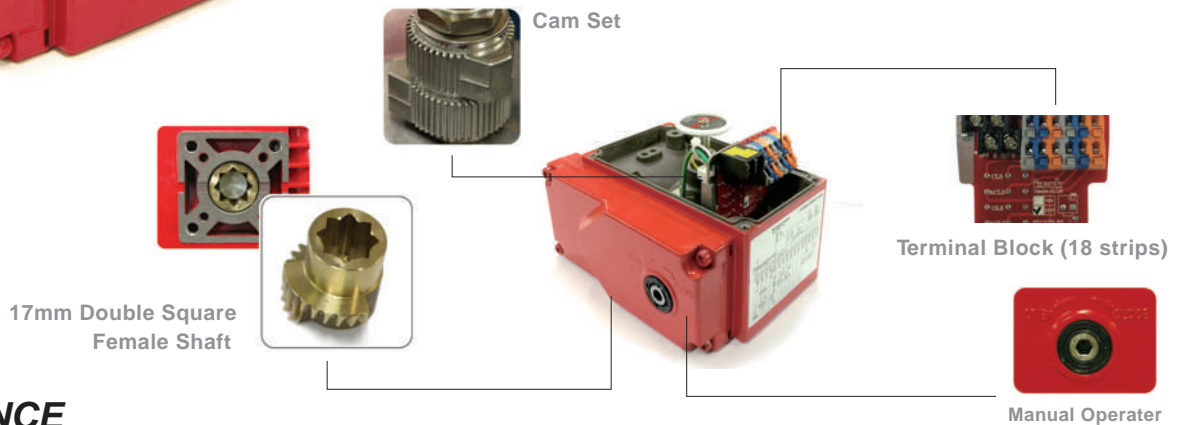


# ECONOMIC TYPE ITQ ELECTRIC ACTUATOR

## ITQ 0080



- Newly designed and developed for especially small ball & plug valves and damper automation.
- Self locking combination of spur and worm gears that require no brake
- The motor is a specially designed induction motor that produces high starting torques and thermally protected from overheating
- Mechanical Stopper bolts to prevent from over travel
- Easy set cams without special tool.
- Manual operation by wrench directly to the worm gearbox and dial position indication



## PERFORMANCE

Model	Rate torque (Nm)	Duty cycle (%)	Operating time			Stem Adaption (Double square Female shaft)	Rated current				Motor insulation class	Weight (kgs)	No of handwheel turn	
			50Hz	60Hz	24DC (No Load)		1Phase		3Phase					DC 24V
							110	220	380	440				
ITQ 0080	80	50	16	14	12	17X17mm	0.97	0.52	0.52	0.56	3.8	E	3.5	7

## STANDARD SPECIFICATION

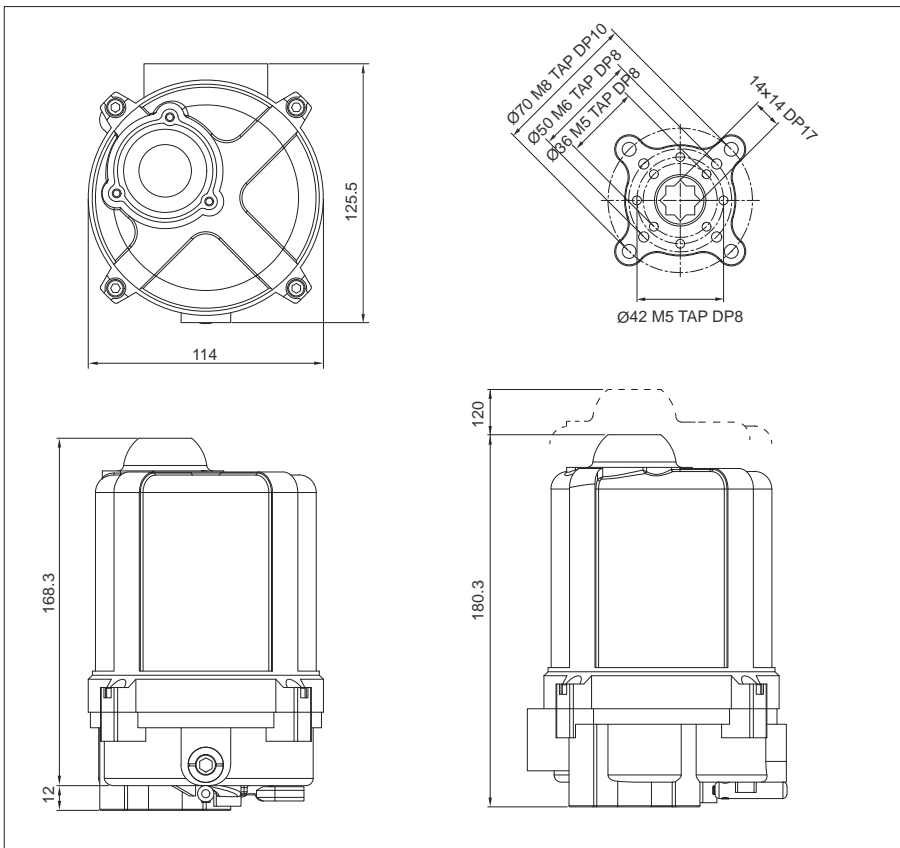
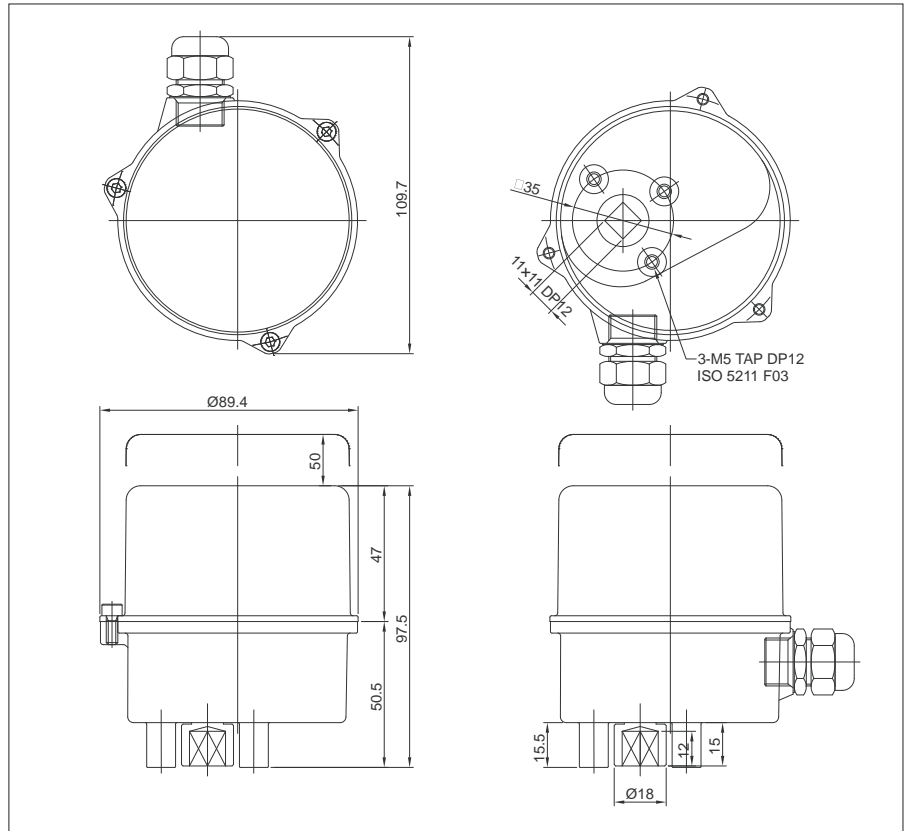
<b>Enclosure</b>	Weatherproof IP67, O-ring sealed
<b>Main Power</b>	110/220VAC/1Ph/50/60Hz, 380/440VAC/3Ph/50/60/Hz,24VDC
<b>Duty cycle(on-off)</b>	S2 : 40%, Max 30 minutes
<b>Duty cycle(modulating)</b>	S4, 50%, 1200 start/Hour
<b>Motor</b>	Induction motor
<b>Limit switches</b>	2 ea for each travel end (1 each as dry contact)
<b>Space heater</b>	3W
<b>Manual operation</b>	By wrench (M6) directly to the worm gear
<b>Indicator</b>	Continous Mechanical position indicator
<b>Mounting</b>	ISO F05 & F07 flange with double square female shaft
<b>Self locking</b>	By means of worm gearing
<b>Travel angle</b>	90° ± 10° by external adjustable mechanical stopper
<b>Cable entries</b>	2 - M20 X 1.5 (option : 2- PF1/2)
<b>Terminal block</b>	Spring loaded push type
<b>Surface protection</b>	Anodized & polyester coating
<b>Ambient temperature</b>	-20°C~+70°C
<b>Humidity(R.H)</b>	90%

## OPTION AVAILABLE (0080 Only)

CT	-Current transmitter (output signal : 4-20mA)
	-Zero / Span Adjustment
RPC	-Remote position controller (by input and output signal)
	-Input : 4-20mA, 0-10VDC, 2~10VDC, 1~5VDC, 0~5VDC
	-Output : 4-20mA
	*Option : 0-10VDC, 2~10VDC, 1~5VDC, 0~5VDC
	-Auto-calibration
	-Reverse operating direction

# DIMENSIONAL DRAWING

ITQ 0020



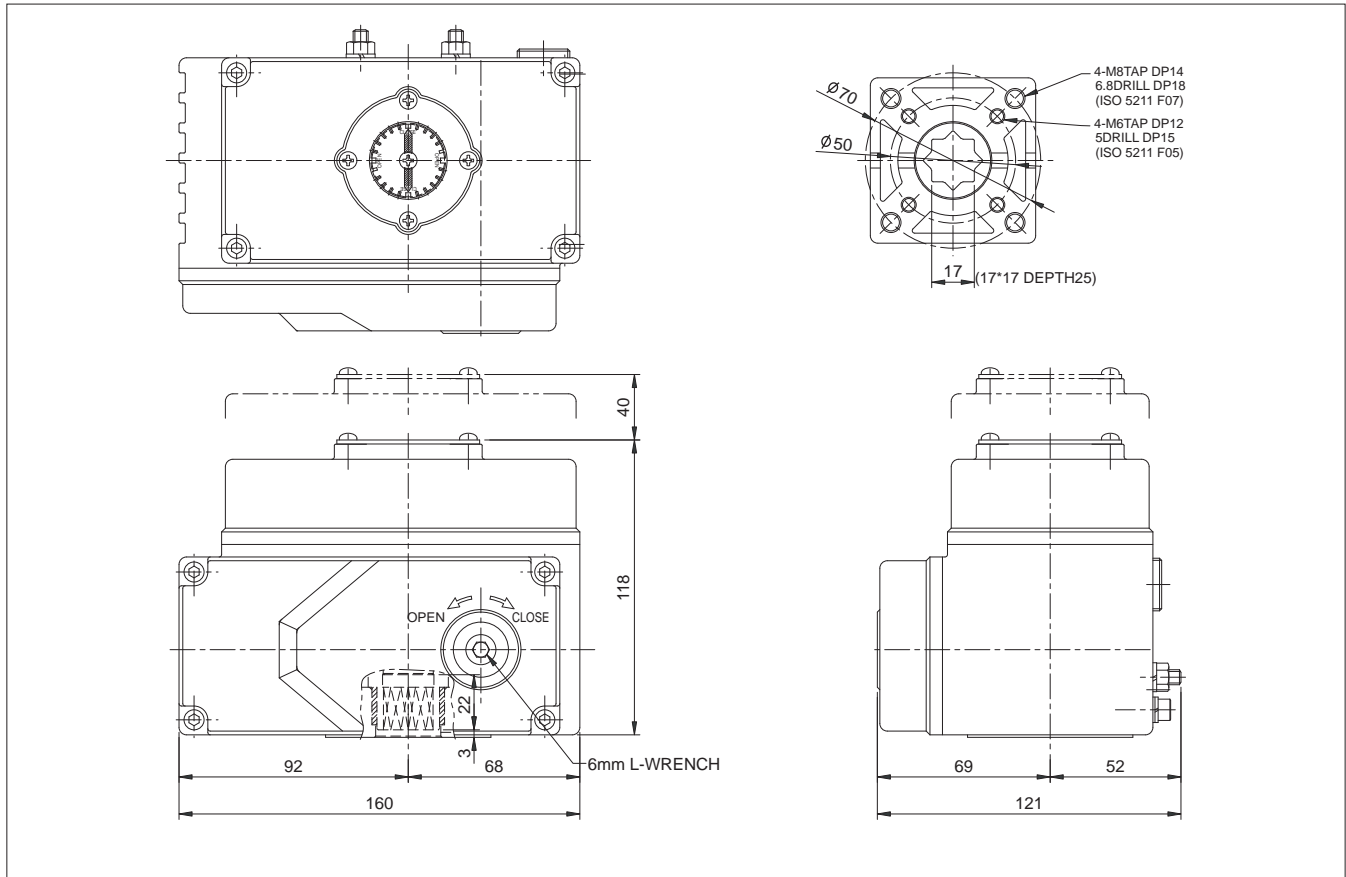
**NEW** ITQ 0040



# ECONOMIC TYPE ITQ ELECTRIC ACTUATOR

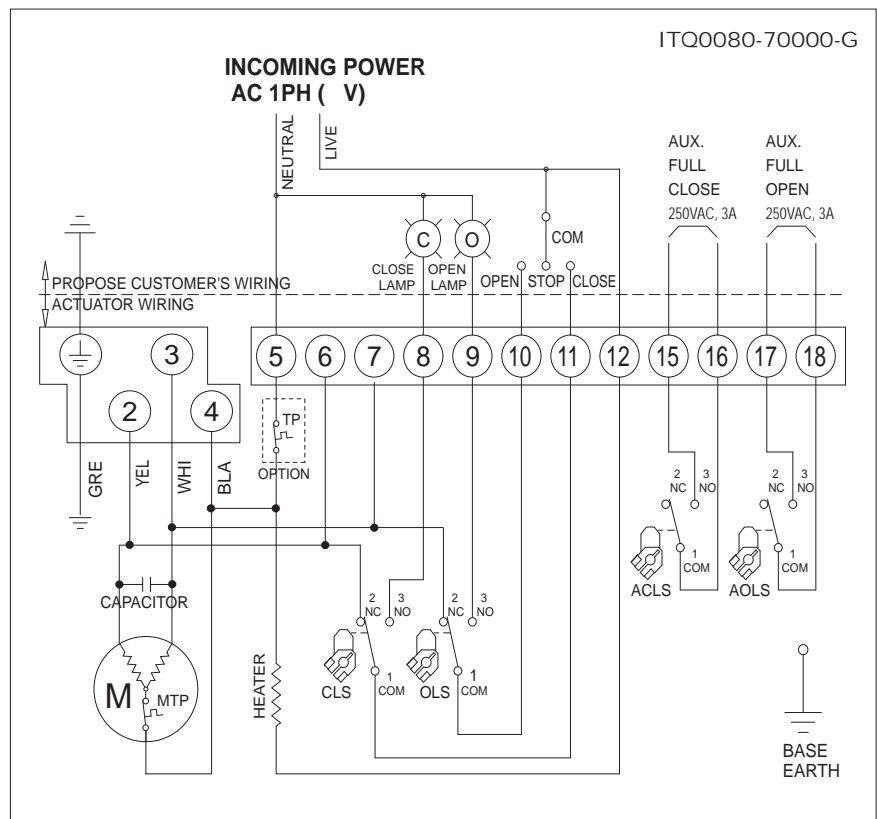
## DIMENSIONAL DRAWING

ITQ 0080



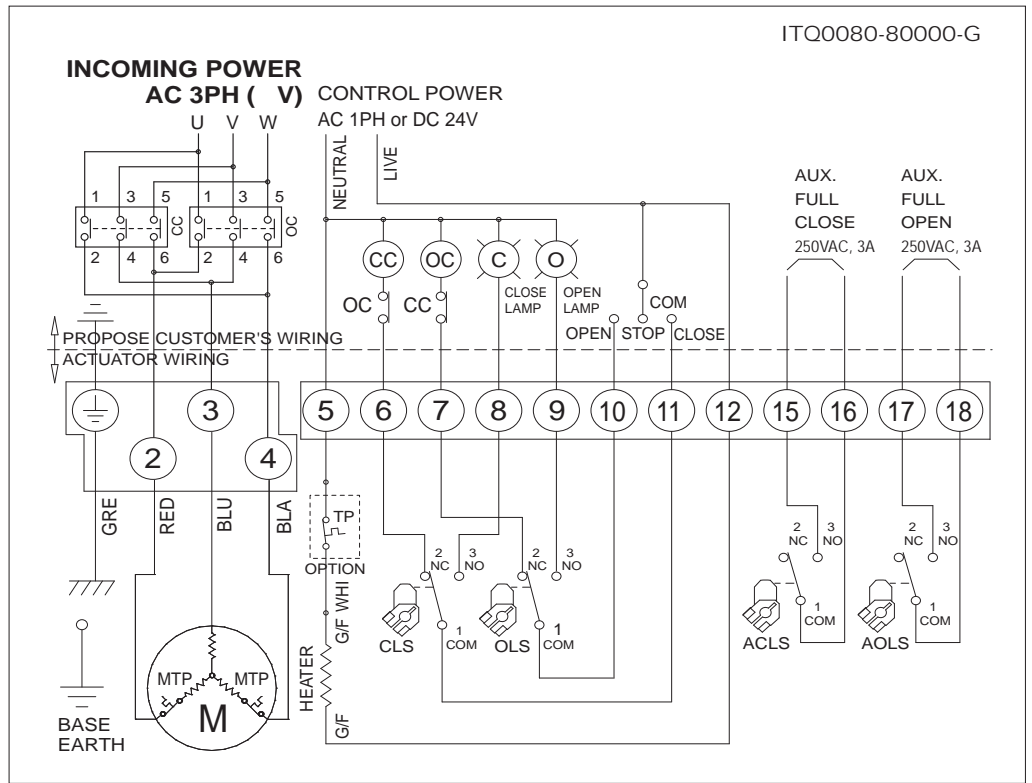
## WIRING

ITQ 0080 110/220 (On-Off)

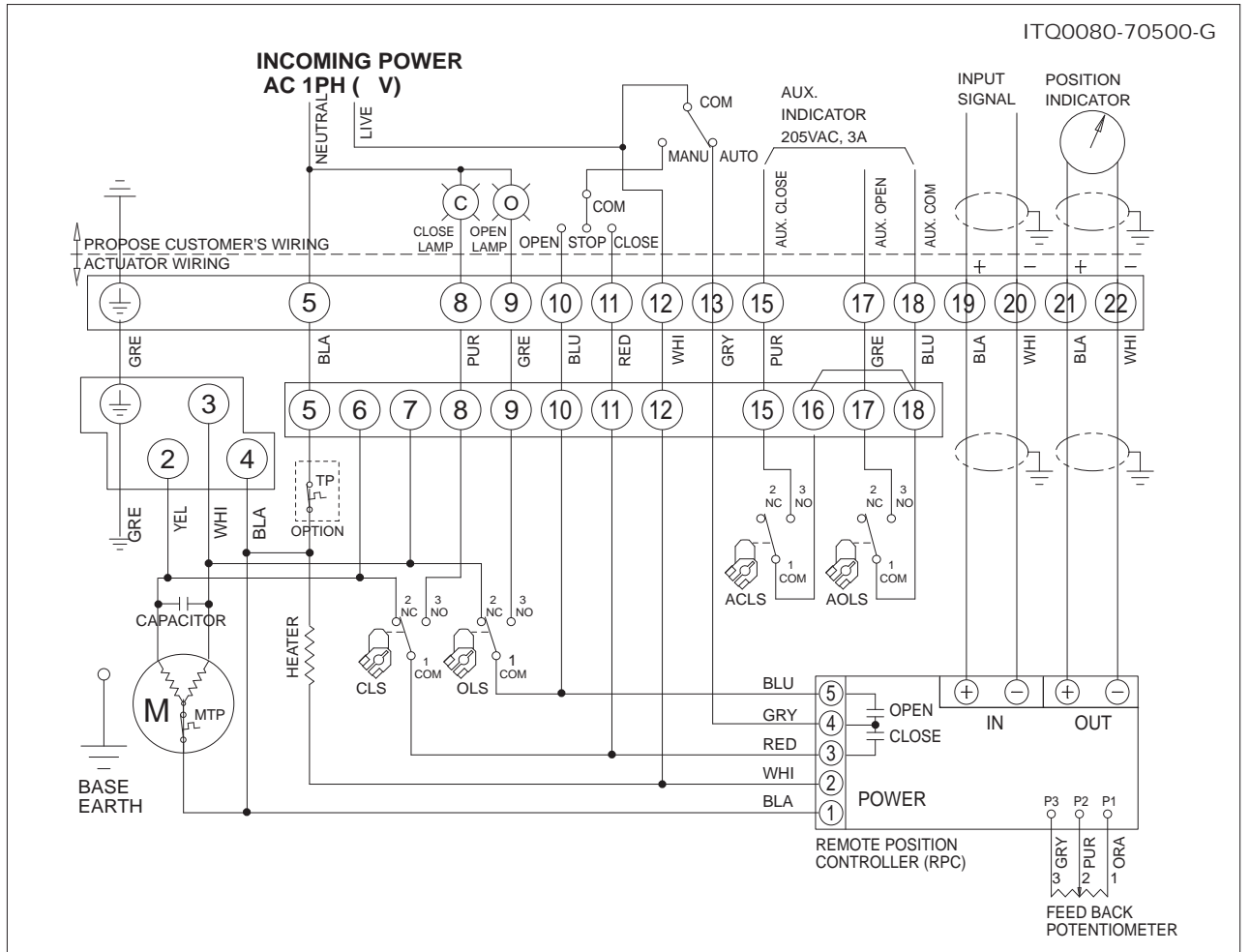


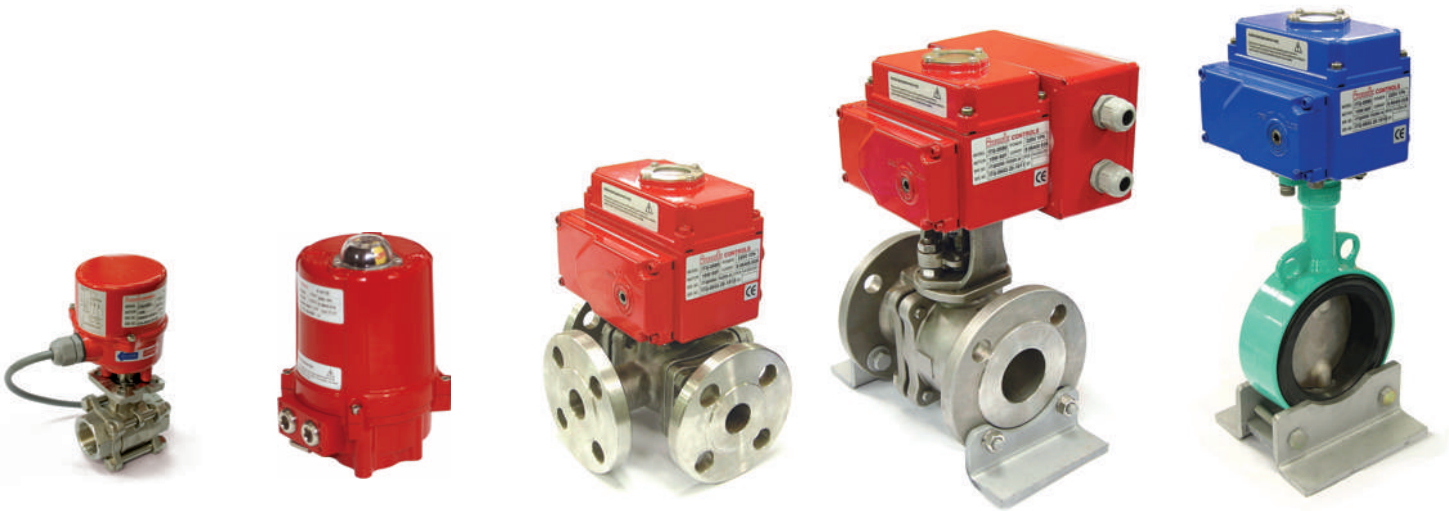
# WIRING

## ITQ 0080 380/440 ON/OFF



## ITQ 0080 110/220 RPC





The details of this catalog are subject to change without prior notification.

**i-tork**<sup>®</sup> CONTROLS Co., Ltd.

Website : <http://www.i-tork.com>